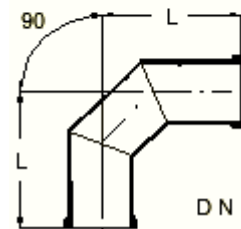
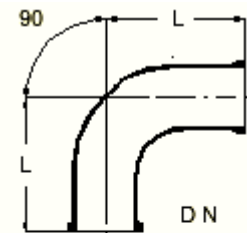


Industrial Glass - [Pipeline Components](#) - Bends

Cat.Ref.	DN	L	TYPE
PB1/90*	25	100	A
PB1.5/90*	40	150	A
PB2/90*	50	150	A
PB3/90*	80	200	B
PB4/90*	100	250	B
PB6/90*	150	250	B
PB9/90	225	375	B
PB12/90	300	450	B

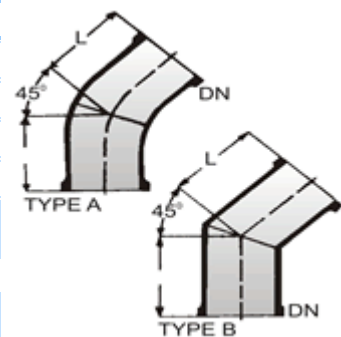


Bends in 80 and 100 degree are also available with same dimensions.

Bends DN 400/DN 450/DN 600 on request basis.

BENDS 45°

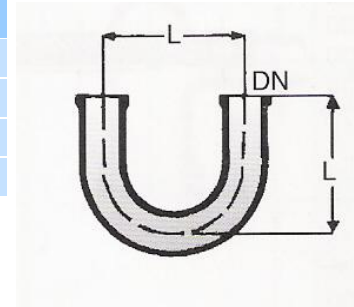
Cat.Ref.	DN	L	TYPE
PB1/45	25	75	A
PB1.5/45	40	100	A
PB2/45*	50	100	A
PB3/45	80	125	B
PB4/45*	100	175	B



Bends in 10 and 30 degree are also available with same dimensions.

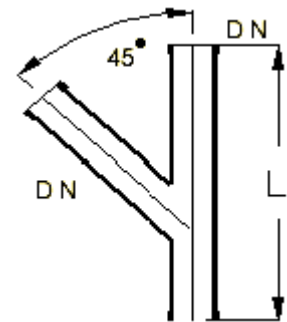
U BENDS

Cat.Ref.	DN	L
PU1*	25	150
PU1.5*	40	175
PU2	50	175
PU3	80	225



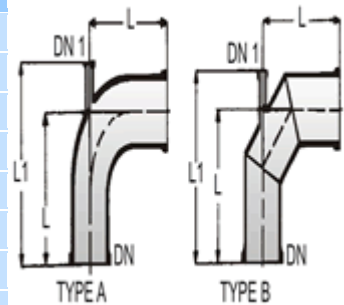
Y BENDS

Cat.Ref.	DN	L	L1	L2
PY1	25	200	75	150
PY1.5*	40	250	100	175
PY2	50	300	125	200
PY3	80	350	150	250
PY4*	100	450	150	350



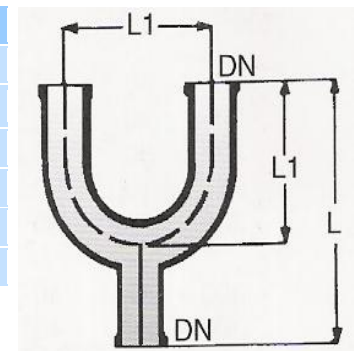
BENDS 90° WITH THERMOMETER BRANCH

Cat.Ref.	DN	DN1	L	L1	TYPE
PBT1.5	40	25	150	225	A
PBT2	50	25	150	225	A
PBT3	80	25	200	275	B
PBT4*	100	25	250	350	B
PBT6*	150	25	250	375	B
PBT9	225	25	375	525	B
PBT12	300	25	450	550	B



U BENDS WITH BOTTOM OUTLET

Cat.Ref.	DN	DN1	L	L1
PUO1*	25	25	250	150
PUO1.5*	40	40	275	175
PUO1.5/1	40	25	275	175
PUO2	50	50	275	175
PUO2/1	50	25	275	175
PUO3/1	80	25	350	225



* marked items are available fast.