

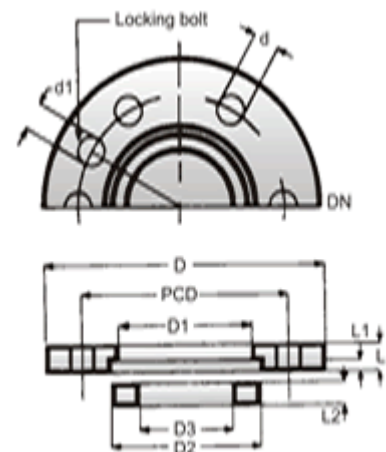
## Industrial Glass - [Couplings](#) - Bellow Flanges

Bellow flanges are used to fit a bellow to a glass component. Standard Bellow are made Cast Iron. Cast Iron with Epoxy Coated, Cast Iron with PTFE coated, Aluminum, Silumin, Stainless Steel 304 & 316 and are used in FBV, VB, FB type bellow. These are provided with two holes at 180° for Distance – locking bolts and are supplied with a split ring.

Cat.Ref.	DN	D	D1	D2	D3	L	L1	L2
BF1*	25	95	43	51	33	7	3	6
BF1.5*	40	110	58	66	45	7	3	6
BF2*	50	120	70	81	57	7	3	6
BF3*	80	155	101	112	84	7	3	6
BF4*	100	200	134	148	113	8	3	6
BF6*	150	275	186	196	164	8	3	6
BF9*	225	350	260	282	234	8	3	6
BF12	300	425	342	363	310	10	5	8

### Drilling details

Cat. Ref.	PCD	n x dØ	n x d1Ø
BF1	70	3 x 9Ø	2 x 9Ø
BF1.5	86	3 x 9Ø	2 x 9Ø
BF2	98	3 x 9Ø	2 x 9Ø
BF3	133	6 x 9Ø	2 x 9Ø
BF4	178	6 x 9Ø	2 x 9Ø
BF6	254	6 x 9Ø	2 x 9Ø
BF9	310	8 x 11Ø	2 x 11Ø
BF12	395	12 x 11Ø	2 x 11Ø



\* marked items are available fast.

